

Exceptional Quality **2 Years Parts and Labor Warranty**



TCBE-52SDR



TCBE-82SDR



TCBE-96SDR

* Drawer Pans Not Included

FEATURES / BENEFITS

- **EFFICIENT REFRIGERATION SYSTEM**
Turbo Air's solid door refrigerators are designed with oversized and balanced (CFC Free R-134A) refrigeration systems. These include efficient evaporators and condensers for faster cooling and greater efficiency.
- **STRONG BODY AND DURABLE CONSTRUCTION**
Built with heavy duty, 304 stainless steel (16 gauges) Chef Base top is manufactured of one-piece reinforced stainless steel to ensure durability.
- **HIGH-DENSITY POLYURETHANE INSULATION**
Entire cabinet structure and solid doors are formed-in-place using high density, CFC free polyurethane insulation.
- **DURABLE STAINLESS STEEL DRAWERS**
Drawers are easy to clean and assemble.
- **SIDE MOUNT COMPRESSOR UNIT**
Through positioning the compressor to the side, the refrigerator can be serviced without being moved. By innovatively creating a **front breathing feature**, this model can provide high efficiency in narrow spaces.
- **REFRIGERATOR HOLDS 33°F ~ 38°F FOR THE BEST IN FOOD PRESERVATION**

*** Top is Insulated to Eliminate Heat Transfer to The Interior of Cabinet**

Model	Drawers	CU./FT.	HP	AMPS	Crated Weight	L D H
TCBE-52SDR	2	11	1/3	5.1	307	52 1/2 x 32 x 20 1/2
TCBE-82SDR	4	19	1/3	6.2	469	83 5/8 x 32 x 20 1/2
TCBE-96SDR	4	23	1/3	6.3	517	96 3/8 x 32 x 20 1/2

* Height does not include 6" for caster height.

TCBE MODELS SPECIFICATIONS

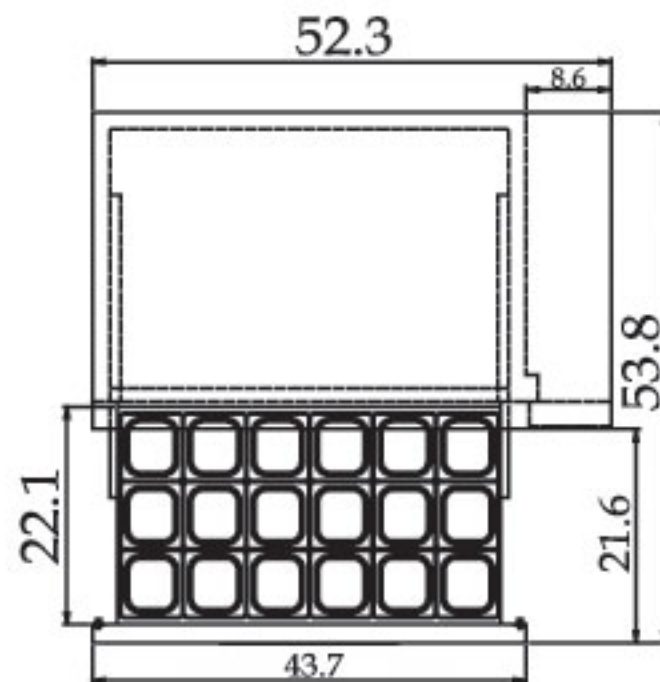
MODEL	TCBE-52SDR	TCBE-82SDR	TCBE-96SDR
Exterior Dimension (LxDxH)	52 1/2x32x20 1/2	83 5/8x32x20 1/2	96 3/8x32x20 1/2
Cubic Feet	11	19	23
Compressor (HP)	1/3	1/3	1/3
Drawers	2 ea	4 ea	4 ea
Net Weight	241 lbs	412 lbs	484 lbs
Voltage (i) NEMA-5-15P	(i)115/60/1	(i)115/60/1	(i)115/60/1
Cord Length (ft.)	9	9	9
Plug-In	NEMA 5-15P	NEMA 5-15P	NEMA 5-15P
# of Pans	36 ea	60 ea	72 ea

*Design and specifications subject to change without notice.

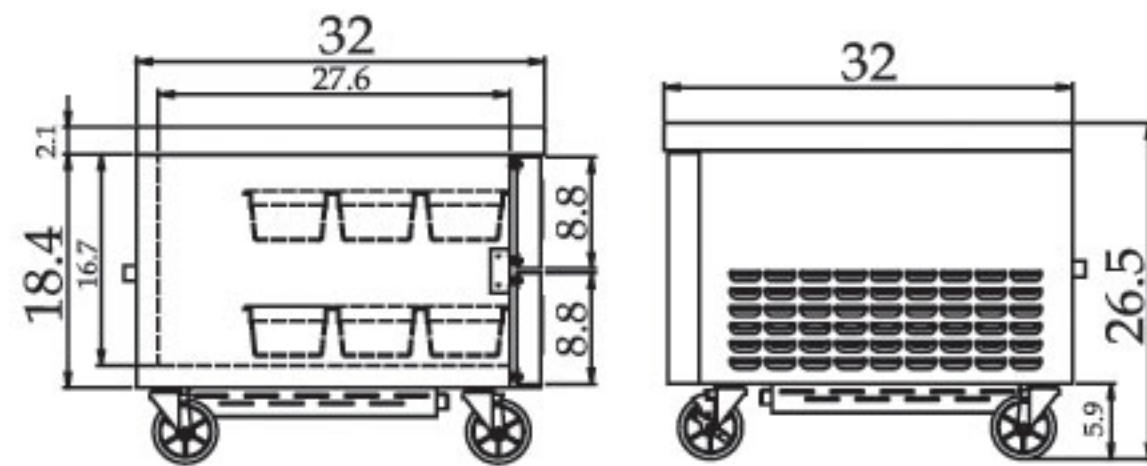
- **DRAWERS**
Small drawer holds up to 154 pounds.
Large drawer holds up to 242 pounds.
- **COUNTERTOPS**
TCBE-52SDR supports up to 788 pounds of equipment. TCBE-82SDR & TCBE-96SDR support up to 1,192 pounds of equipment.
- **SELF-CONTAINED SYSTEM**
- **5" SWIVEL CASTERS**
- **LEGS AVAILABLE FOR ALL MODELS (OPTIONAL)**
- **REMOTE CABINETS AND CONDENSING UNITS AVAILABLE FOR ALL MODELS.**

- **WARRANTY : 2 Years Labor and Parts Warranty**
Additional 3 Years Warranty on Compressor

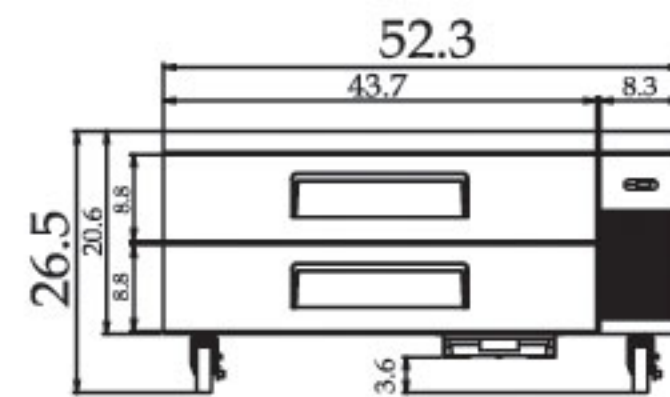
(unit : inch)



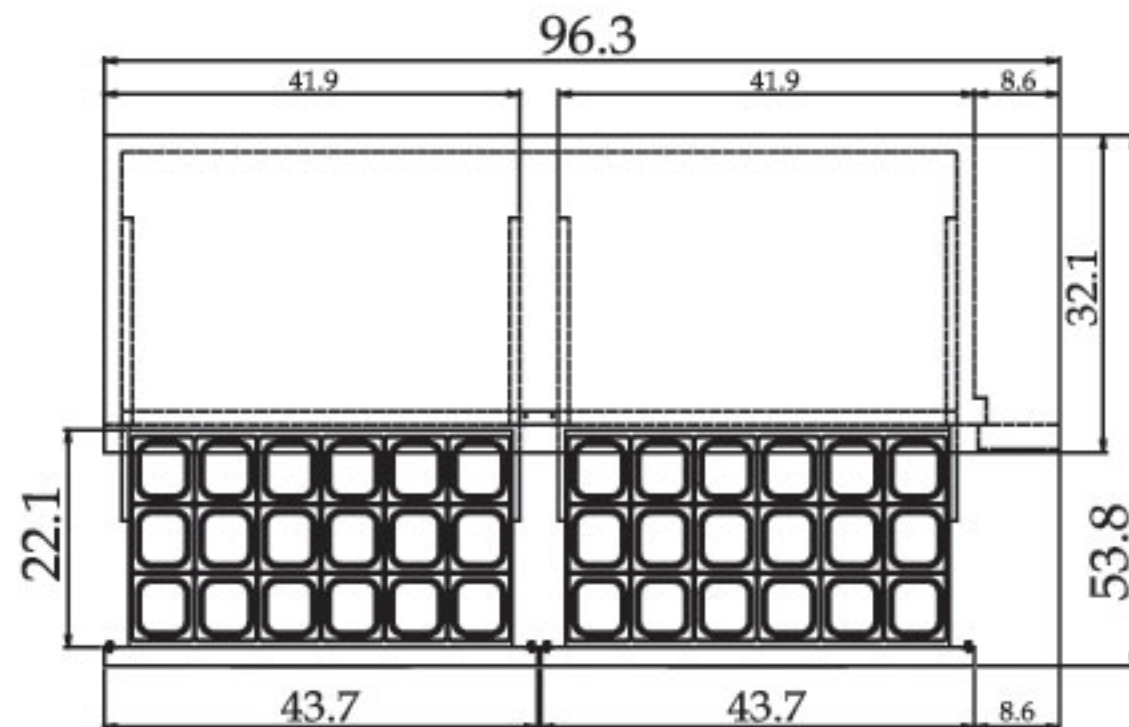
TCBE-52SDR PLAN VIEW



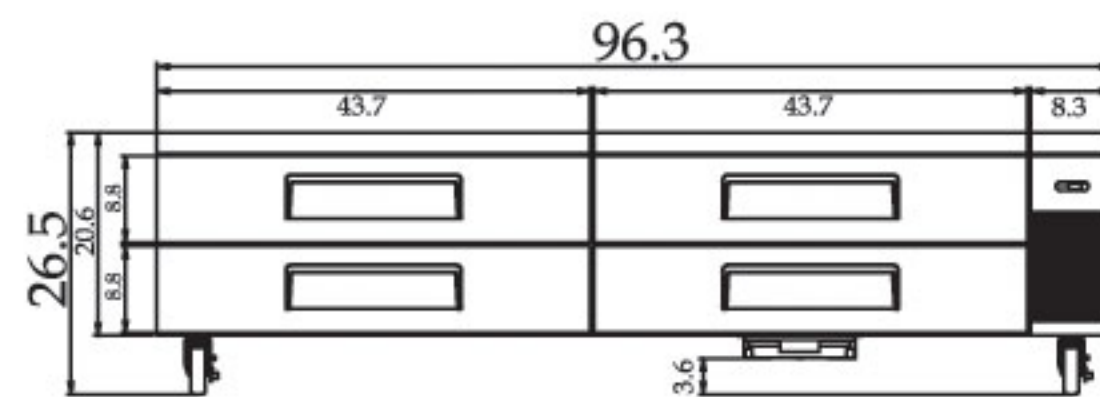
SIDE VIEW



TCBE-52SDR FRONT VIEW



TCBE-96SDR PLAN VIEW



TCBE-96SDR FRONT VIEW